



Wakely 350 Model Crimper/Dry Roller

- Highest quality precision balanced Chilled Rolls
- Output: Dry Rolled 3/4 tonne Crimped 5/6 tonne per hour
- Heavy duty Bearings
- Parallel roll gap adjustment
- No metal to metal contact between rollers
- PTO Drive
- 6" Auger
- Heavy duty undercarriage

Wakely 350 Model Options

1. 3Phase Electric
2. PTO Mobile
3. PTO Fixed on Stand

The Wakely Mill is synonymous with durability for over a quarter century, all our mills feature Solid Chilled Rolls. The Rolls are solid chilled and made by the centrifugal casting process using a double pour technique. They cannot be compared with mild or hardened steel rolls and with annual maintenance, chilled rolls last indefinitely. The rolls are balanced to a degree that vibration is almost eliminated and with the inclusion of sound deadening pads leads to an extremely low noise, low vibration machine, thus extending mill life and improving the working environment.

WAKELY ENGINEERING LIMITED, ESSEXFORD, LOUTH, DUNDALK, CO. LOUTH, IRELAND.

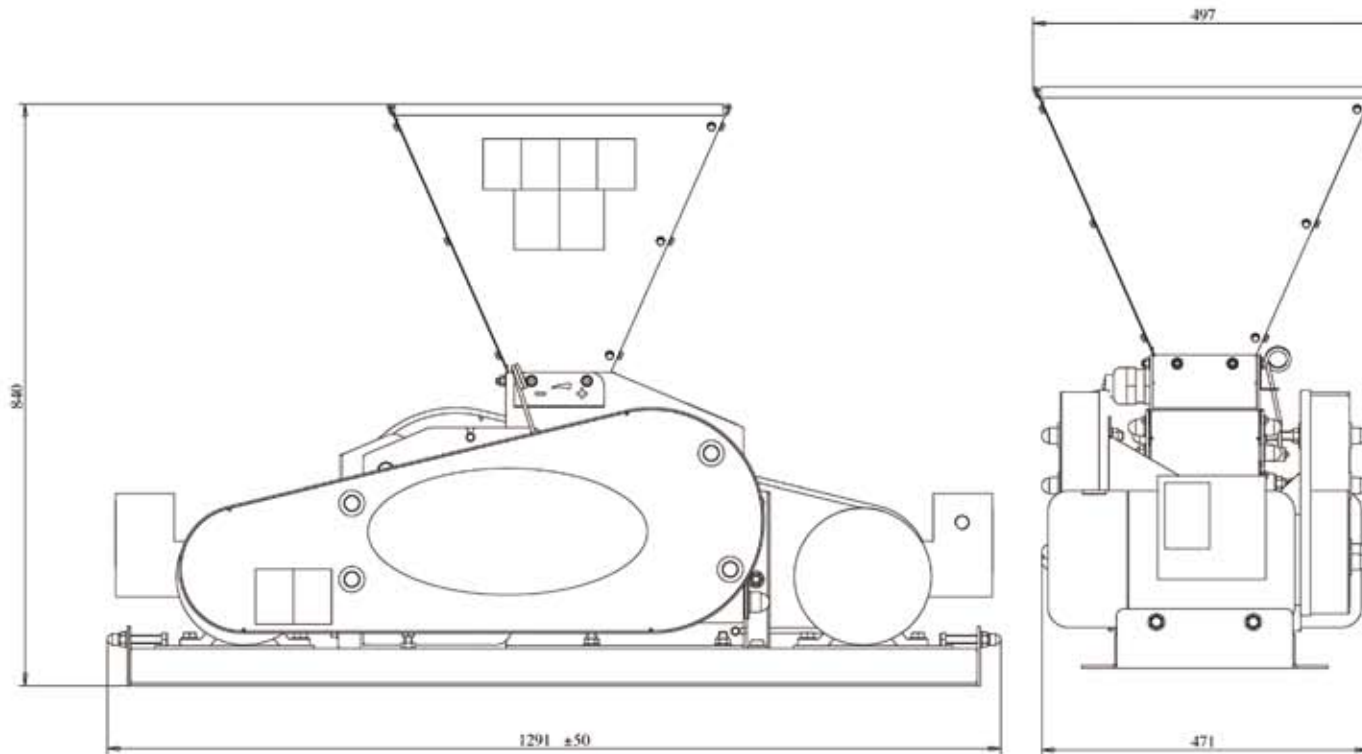
Tel: 00353 (0)42 9374388 Fax: 00353 (0)42 9374669 Email: info@wakelyengineering.ie Web: www.wakelyengineering.ie



Wakely 130 Electric Mill

The main motors are controlled by a proximity switch. This shuts down the motors when the hopper is empty of grain.

User friendly with simple feed control flap.



WAKELY ROLLER MILLS - THE YELLOW ONES THAT EVERYONE IS TALKING ABOUT!

UNIQUE WAKELY FEATURES:

- Precision balanced chill hardened SOLID rollers - Working surfaces are 50-54 Rockwell hardness
- Smooth running LOW NOISE efficient rollers with no roller to roller contact

WAKELY MILLS ARE SUPPLIERS TO THE FARMING AND MILLING INDUSTRY FOR OVER A QUARTER CENTURY

"REVOLUTIONARY SOLID EDGE TECHNOLOGY IS USED IN THE DESIGN AND MANUFACTURING PROCESS OF THE WAKELY RANGE OF ROLLERS"

ANYTHING YOU CAN COMBINE A WAKELY MILL WILL CRUSH - "SUPPLIERS TO THE LEADING MILLERS AND CONTRACTORS ON THE IRISH AND UK MARKET"